

# MULTI CARTRIDGE DOE FILTER HOUSING

## Stainless Steel Multi-Cartridge Filter Housing For High Flow Industrial Applications

### Advantages:

- Accepts 3 - 11, 20", 30" or 40" (102 cm) Filter Cartridges.
- Housing is designed to accept DOE, or SOE - style cartridge.
- All Stainless steel material of construction for corrosion resistance.
- Swing Bolt closure design assures secure sealing and ease of change outs.
- Standard design allows for easy piping.
- 10 Bar Maximum operating pressure permits use in many applications.

### Housing Specifications

#### Maximum Operating Pressure: 10 bar @ 150°C:

*Note: Maximum operating pressure ratings are vessel ratings only. Safe operating temperature and pressure will depend on filter cartridge and gasket/O-ring used.*

#### Construction:

Head : 304 or 316 L Stainless Steel  
Shell : 304 or 316 L Stainless Steel  
Connections : 304 or 316 L Stainless Steel  
Bolting : Zinc Plated Steel or 304 Stainless Steel

#### Shell O-rings:

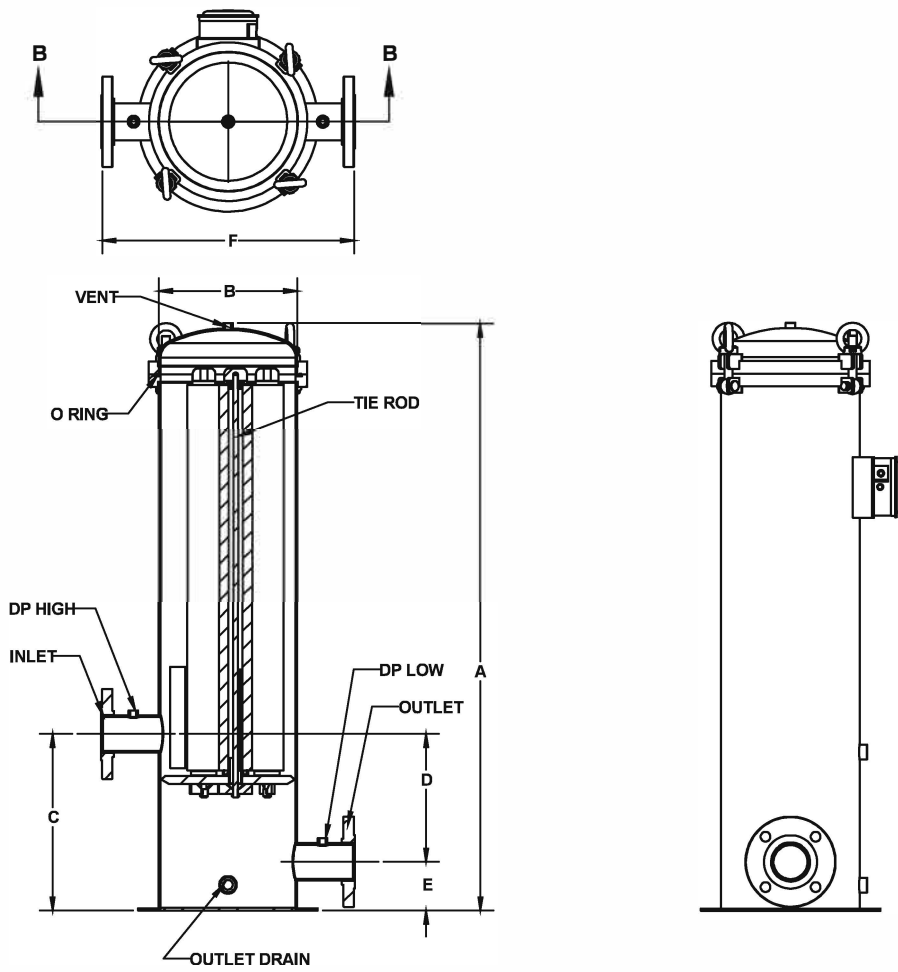
Accepts most standard O-Ring materials.

#### Customization :

Housing can be engineered to meet the specific needs of the process and installation.



## Multi Cartridge DOE Filter Housing



### Dimensions (mm)

L (inch)	A	B	C	D	E	F
10"	571	168.3	300	200	100	400
20"	825	219.08	400	300	100	450
30"	1079	273	500	400	100	510
40"	1333	323.85	500	400	100	562

### Technical Data

Model	Flow Rate <sup>2</sup> (lpm)	Weight (Kg)
3	681	35
5	909	60
7	1192	105
11	1590	138